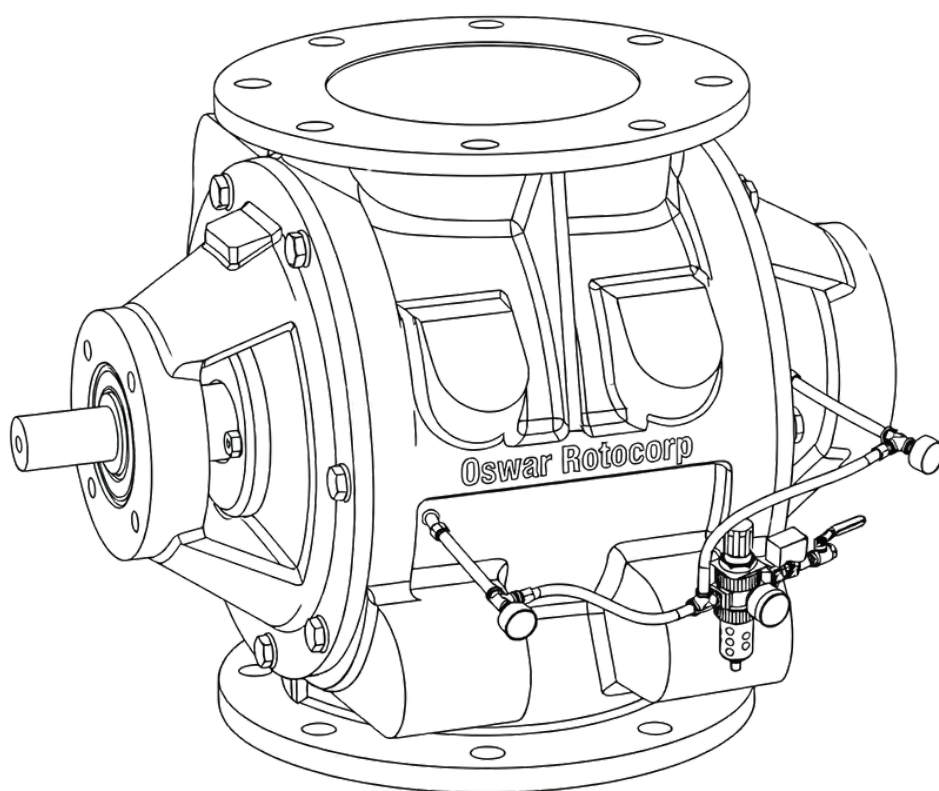



# AFR & WASTE-TO-ENERGY

ALTERNATIVE FUELS & SUSTAINABLE  
ENERGY SYSTEMS



**OSWAR**  
rotocorp



Oswar Rotocorp provides specialized flow control and bulk material handling solutions designed for Alternative Fuel & Raw Material (AFR) systems and Waste-to-Energy (WTE) applications. These environments involve handling heterogeneous, abrasive, and often high-temperature materials that require durable and reliable equipment.

From RDF feeding and biomass handling to ash discharge and pneumatic conveying, our engineered solutions ensure controlled feeding, stable airlock performance, and efficient process integration.

## KEY ADVANTAGES

RDF & SOLID  
RECOVERED FUEL  
FEEDING SYSTEMS

BIOMASS  
HANDLING &  
DISCHARGE

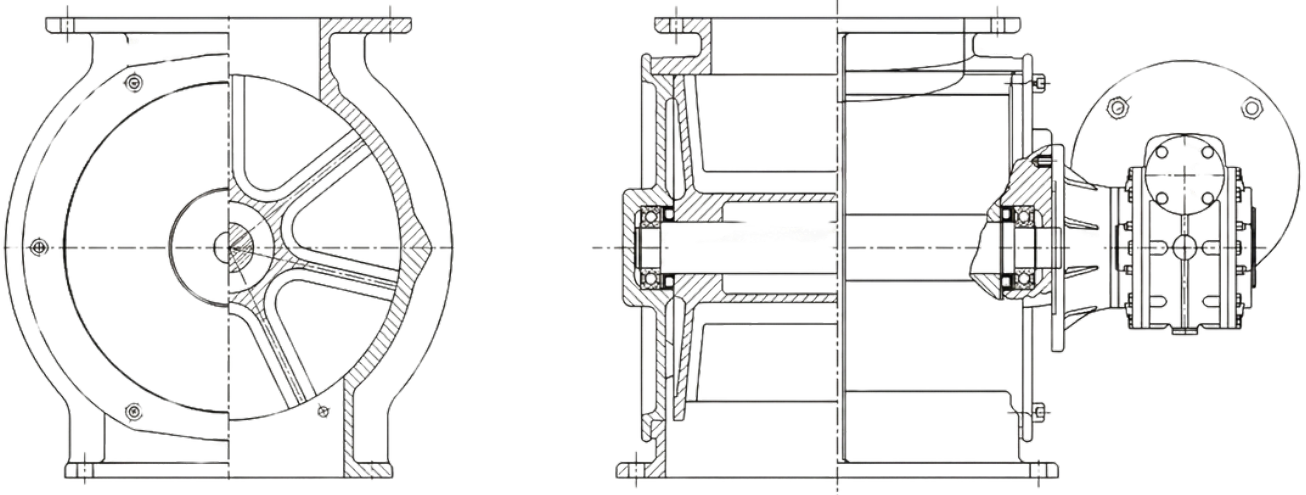
WASTE-TO-  
ENERGY BOILER  
FEED SYSTEMS

ASH HANDLING &  
DISPOSAL  
SYSTEMS

# BUILT FOR VARIABLE FUELS & TOUGH CONDITIONS

AFR and Waste-to-Energy applications require equipment capable of handling mixed-density fuels, abrasive particles, and elevated temperatures. Our solutions are constructed with reinforced housings, heavy-duty rotors, and wear-resistant components to ensure reliable long-term performance.

Precision-engineered Rotary Valves provide consistent volumetric feeding and airlock integrity in fuel injection and ash discharge systems. Specialized sealing arrangements and abrasion-resistant materials enhance durability in high-wear conditions.



## ENGINEERING FEATURES

- Heavy-Duty Rotary Valves for RDF & Biomass Feeding
- High-Temperature Rotary Valves for Energy Systems
- Pneumatic Pressure Rotary Valves for Fuel Injection
- Slide Gate Valves for Hopper Isolation
- Diverter Valves for Multi-Line Distribution
- Flap Valves / Gravity Gates for Ash Discharge

# **SUPPORTING CIRCULAR ECONOMY & ENERGY EFFICIENCY**

- **Stable & Controlled Alternative Fuel Feeding**
- **Improved Airlock Integrity in Pneumatic Systems**
- **High Wear Resistance for Heterogeneous Materials**
- **Reduced Leakage & Process Losses**
- **Extended Equipment Service Life**
- **Enhanced Operational Reliability**



# OSWAR

## rotocorp

### **Corporate Office**

Jaipur, Rajasthan India  
Nagpur, Maharashtra India

### **Sales Inquiries**

[info@oswarrotocorp.com](mailto:info@oswarrotocorp.com)

### **Helpline**

[+44 7917 128505](tel:+447917128505) | +91 77422 36474

**Copyright** © 2026 OSWAR ROTOCORP. All Rights Reserved. OSWAR® is a registered trademark of **OSWAR ROTOCORP**. This brochure makes no offers, representations or warranties (express or implied), and information and data contained in this brochure are for general reference only and may change at any time.